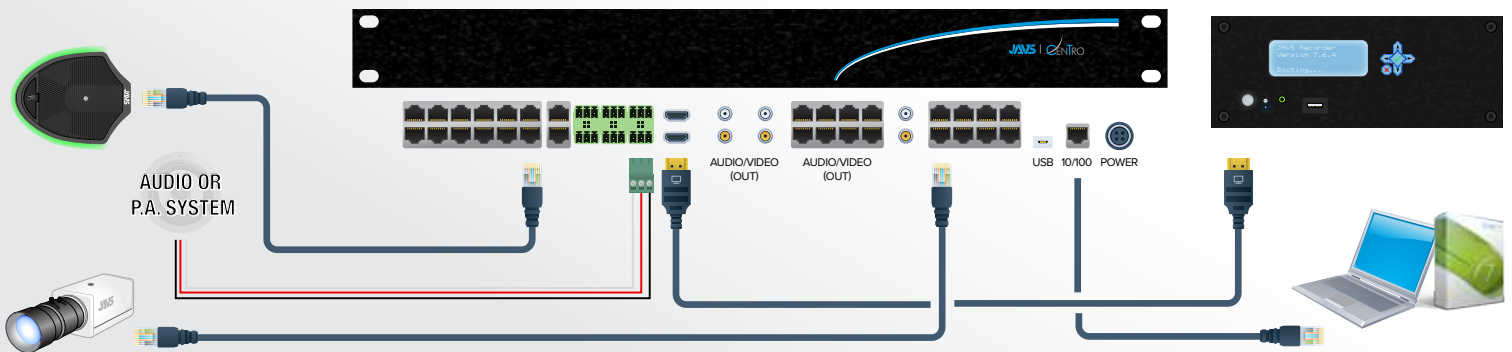


“Liberty cannot be preserved without a general knowledge among the people, who have a right...and a desire to know.”

—John Adams

## PRESERVING THE RECORD FOR TOMORROW’S JUSTICE SYSTEM.

With JAVS Premier Line, you will get the software and hardware necessary to create, manage, publish, and view the complete, permanent record of a variety of settings, including courtroom proceedings and council meetings.



### FlexMics & FlexCams

A high-quality professional boundary microphone, the JAVS FlexMic boasts customizable colored light indicators, a configurable feather-touch pushbutton, and programmable microphone patterns. JAVS FlexCam works seamlessly with the Centro processor using CAT5/6 cabling.

### Centro

The Centro audio/video processor covers each person with an individual mic and camera. Video automatically switches to an assigned camera. A/V outputs can be muted at the touch of a button.

### Recorder 7

Recorder 7 captures the live meeting in a secure, standards-based, digital multimedia file that is stored on an internal hard drive. It can be controlled from multiple locations with the session logging and control software known as AutoLog 7.

### Suite 7

The complete software package allows you to start and stop recordings, archive the recorded sessions, and publish and view sessions.

Ready to learn more about how the JAVS Premier Line can help you capture an accurate audio/video record for your justice needs?

Check out [www.javs.com/premierline](http://www.javs.com/premierline) or contact us at 1-800-354-JAVS (5287).

For over 35 years, JAVS has believed it is everyone's basic, universal right to have an open and transparent society. The only way to preserve that right is through an accurate and accessible audio/video record of due process.

## A True Technology Partner

JAVS is a true consultant and partner for your audio and video recording needs. We offer a turnkey solution that provides everything you need to capture a digital record.

This provides tremendous benefits including:



More efficiently work through large caseloads that need recording



Justice for all parties with the most accurate record



Cost savings by eliminating travel situations like jail arraignments



No longer depending on someone to be physically present to transcribe recorded events

## Our Expertise Includes

- Recording for both audio/video and audio-only
- Automatic recording and logging of proceedings
- Voice-activated switching video
- Digital archiving of the record
- Computer network access to any case
- Video arraignment
- Evidence presentation
- Touch control systems
- Public address
- Assistive listening systems



## About Justice AV Solutions (JAVS)

JAVS, headquartered in Louisville, Kentucky, is the global leader in digital courtroom recording solutions integrated in over 10,000 courtrooms throughout the United States and across four continents. Clients around the world have trusted the JAVS solution to accurately capture, store, and publish the official verbatim record of the court for 35 years. From public address to remote arraignment to open source access, JAVS promotes truth and accuracy by preserving the record for tomorrow's justice system.

Learn more at [www.javs.com](http://www.javs.com).

